

268  
HANDHELD CASES

292  
UNIVERSAL  
ENCLOSURES

318  
HEAVY DUTY  
AND ELECTRICAL  
ENCLOSURES

342  
DESKTOP AND  
INSTRUMENT  
CASES

348  
DEVELOPMENT  
BOARD  
ENCLOSURES

367  
ROOM SENSOR  
ENCLOSURES

370  
CUSTOM SIZED  
ENCLOSURES

# 7590 series Flanged tablet style enclosures

No design charges - No tooling

Simply provide your internal dimensions for a free quotation

## Product overview

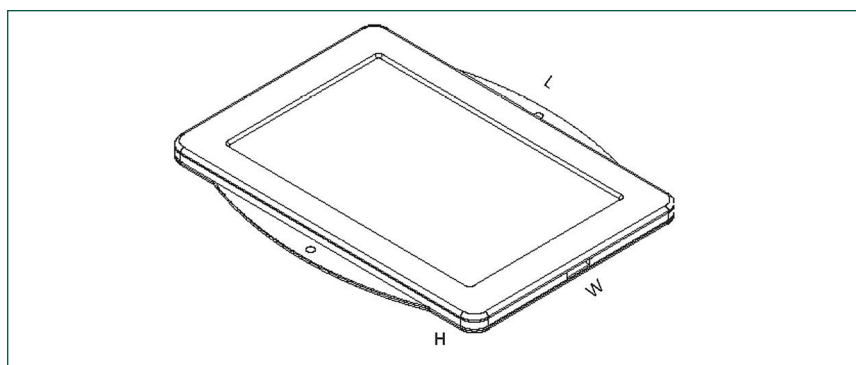
Tablet style enclosures manufactured in **custom** sizes to fit your PCB assembly and components.

## Features

- Tablet style enclosures ideal for dynamic display industry
- Flanged back panel
- Manufactured to your custom specifications
- Various material colour and specification options
- Manufactured to order on short lead-times

## Options

- Manufactured in either HIPS UL94-HB, ABS acrylic capped or listed ABS UL94-V0
- CNC milling (holes, cut-outs, vents, pockets, pillars, windows)
- Digital printing
- Thicker materials



PART NO.	LENGTH (INT)	WIDTH (INT)	HEIGHT (INT)	LENGTH (EXT)	WIDTH (EXT)	HEIGHT (EXT)
7591	138mm	58mm	7mm	158mm	103.5mm	10mm
7592	180mm	115mm	7mm	200mm	160.5mm	10mm
7593	221mm	166mm	7mm	241mm	211.5mm	10mm
Custom size	Please advise dimensions					

Available in a range of colours:



## KEY FEATURES

Flanged back panel | Fit any size LCD | Surface mount tabs

